

LASERILDA-1000RGB
1000mw RGB Laser

Instruction Manual

This product manual contains important information about the safe installation and use of this product. Please read and follow these instructions carefully and keep this manual in a safe place for future reference.



Security warning

- When unpacking and before disposing of the carton, check if there is any transportation damage before using the product. Should there be any damage caused by transportation, consult your dealer and do not use the apparatus.
- This equipment is not waterproof, keep it from rain, moisture and liquids.
- Do not install the product or project the beam onto inflammable surfaces. Minimum distance is 5 M D 5M E
- The product is only intended for installation, operation and maintenance by qualified personnel.
- Product should install in a cool place. Keep away from the wall 50cm
- Avoid direct exposure to the light from the lamp. The light is harmful to eyes.
- Keep the optical system clean. Do not touch the laser reflect lens with bare hands. Do not use any alcohol liquid or any other liquid to clean the optical system. Use medicinal absorbent cotton to clean it.
- Please do not attempt to dismantle and/or modify the product inner structure. Otherwise, would not provide 1 year of free warranty.
- Electrical connection must only be carried out by qualified personnel.
- Before installation, ensure that the voltage and frequency of power supply match the power requirement of the product.
- It is essential that each product is correctly earthed and that electrical installation conforms to all relevant standards.
- Do not connect this device to any other types of dimmer apparatus.
- Make sure that the power-cord is never crimped or damaged by sharp edges. Never let the power-cord come into contact with other cables. Only handle the power-cord by the plug. Never pull out the plug by tugging the power-cord
- There is no user serviceable parts inside the product, do not open the housing and never operate the product with the cover removed.

If you have any questions, don't hesitate to consult our dealer or manufacturer.



Product technical parameters

Voltage: AC90~240V 50~60HZ±10%

Power consumption: 80W

Laser source: Solid semi-conductor laser diode.

Laser power /wavelength: R300mw 638nm, G100mw 520nm, B700mw 445nm

Colors: Full color

Laser diode life span: ≥1000hours

Laser beam diameter: 5-6mm

Laser beam divergence: <1mrad

Laser diode modulation: analogue modulation signal

Scanner system: 20KPPS Scanner

Scanning angle: ±20 degrees

DMX Channel: 12channels

Control signal: DMX-512 international standard signal, ILDA

Control mode: Music, auto, master-slave and DMX-512, ILDA,SD-card display

Patterns: 85pcs

Cooling system: fan

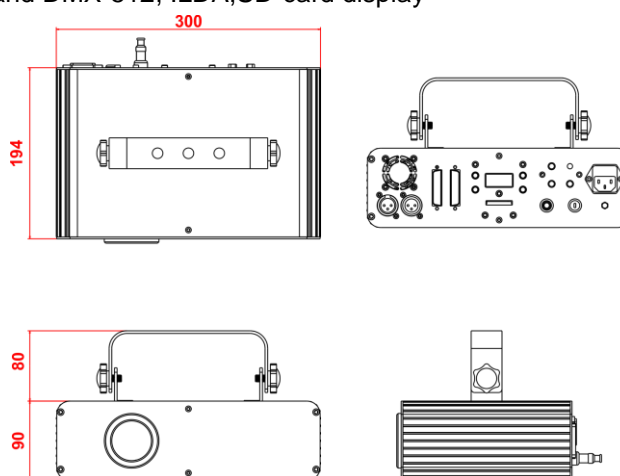
Operation environment: Indoor

Operation temperature: 10°C~35°C

Size: 300x194x170mm

N.W.: 3.1kg

Housing Color: Black



Product packing list

These items are packed together with the lighting fixture. Upon unpack, please check:

Name	quantity	Unit	Note
laser light projector	1	set	
Power cable	1	pc	
Bracket(Hanger)	1	pc	
Hanger screw	2	pcs	
Product manual	1	pc	

Power Connections Method

Please connect power as following :

L (live wire) =brown wire

E (earth wire) =yellow/green double color wire

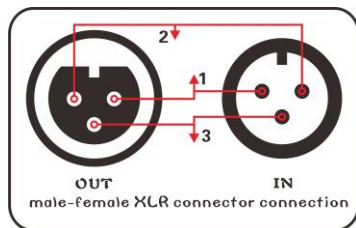
N (null line) =blue wire

When connecting, ensure that the voltage and frequency of power supply match the power requirement of the product.

This product is Class 1 protection equipment. The yellow-green double colors wire must be earthed by qualified personnel. Before installation, ensure that the voltage and frequency of power supply match the power requirements of product. In power supply and voltage fluctuation large areas, we suggest you to use 110V or 220V or use voltage regulator to supply power. After electrical connection, this product will have a few seconds self-check action, self-check finished can be used.

Important: It is essential that Yellow/green double color wire is correctly earthed and that electrical installation conforms to all relevant standards

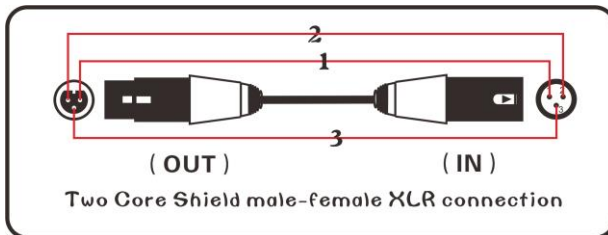
DMX Connection method



DMX-512	
PIN	FUNCTION
1	GND
2	DATA-
3	DATA+

DMX control signal connection must be made with a two core-screened cable, with each core having at least a 0.5mm diameter. Please use the product's signal cable OUT and IN as connection. The signal OUT and IN cables connection shown as above picture.

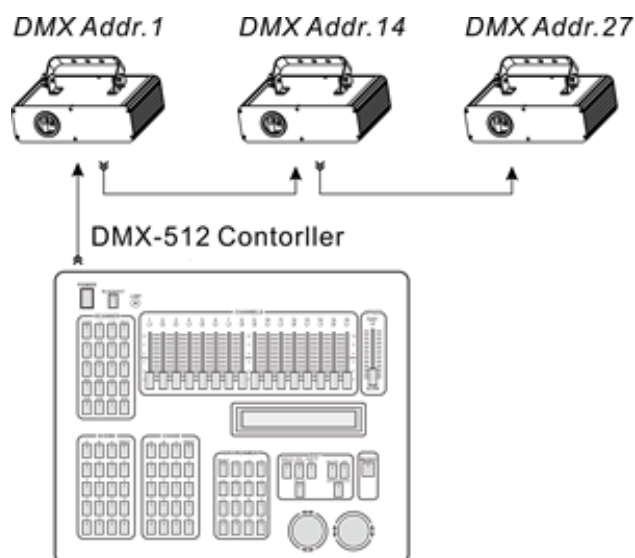
Note: Please do not connect the signal cable OUT and IN in other way except above shown.



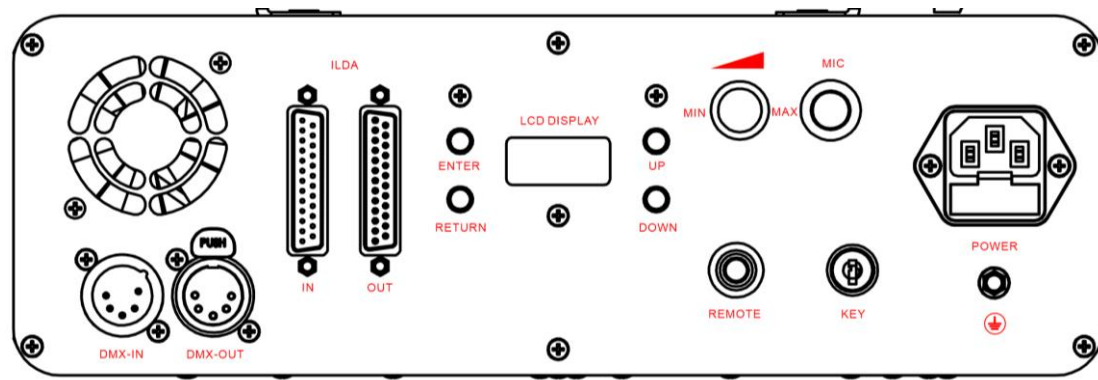
This product accepts digital control signals in protocol DMX512(1990).The amount of lighting fixtures connected in parallel is no more than 32.Connect the DMX controller's **Output** to the first lighting fixture's **Input** cable with a 2 core XLR signal cable(Shown as above),connect the first lighting fixture's **Output** cable to the second lighting fixture's **Input cable** and connect the rest light fixtures in the same way. Eventually, connect the last lighting fixture's Output cable to a DMX terminator

Under DMX-512 signal control mode, the last lighting fixture's DMX Output must be connected with a DMX terminator. This prevents electrical noise from disturbing and corrupting the DMX control signals. The DMX terminator is simply an XLR connector with a 120Ω(ohm) resistor connected across pins 2 and 3,which is then plugged into the output socket on the last projector in the chain. Then connections are illustrated above.

Lighting fixture's DMX and IP function set-up method



When using DMX-512 Controller to control several pieces lighting fixtures, each lighting fixture must be given a DMX start address so that the correct lighting can respond to correct signals. This laser projector has 12 DMX-512 control Channels, then we set the No.1 lighting DMX start address as 001, No.2 lighting address as 013, No.3 lighting address as 025, No.4 lighting address as 037, and so on.



1. DMX512 IN/DMX512 OUT: DMX-512 signal connectors
2. ILDA IN/ILDA OUT: ILDA signal connectors
3. MIC
4. MIN/MAX: to adjust the sensitive of the sound-active.
5. SIZE X/SIZE Y: to adjust the size of the laser patterns
6. REMOTE: emergency-stop button connector
7. LASER DIODE: safety key
8. POWER: power cord connector

DIP address setting:

Control mode		Binary system setting (ON)	
1	DMX-512 control mode, master-slave mode	1~9: setting light's add,	10: OFF
2	Master, sound-active mode	9: OFF	10: ON
3	Master, automatic mode	9,10: ON	
4	Animation picture display	2: ON	1 : OFF
5	Beam show display	1: ON	2: OFF

6	Display all patterns	1,2: OFF
---	----------------------	----------

DMX Channel Function

IPLAY MODE CH12:

CH	Function of each channel	DMX Data	Control function
CH1	Laser on/off	1~41	Switch light of laser
	Automatic display	42~83	Control by manual
		84~125	Automatic display animation effects built-in
		126~167	Automatic display beam effects built-in
	Sound-active display	168~209	Sound-active display beam effects built-in
		210~251	Sound-active animation effects built-in
252~255		Control by manual	
CH2	Pattern selection	1~255	Select a pattern for every three values
CH3	Pattern rotation	1~127	Angle adjustment of pattern rotation
		128~191	Reverse rotation speed selection
		192~255	Forward rotation speed selection
CH4	Horizontal flip of laser pattern	1~127	Horizontal flip position selection
		128~255	Horizontal flip speed selection
CH5	Vertical flip of laser pattern	1~127	Vertical flip position selection
		128~255	Vertical flip speed selection
CH6	Horizontal movement of laser pattern	1~127	Horizontal moving position selection
		128~255	Horizontal moving speed selection
CH7	Vertical movement of laser pattern	1~127	Vertical moving position selection
		128~255	Vertical moving speed selection
CH8	Pattern size	1~63	Pattern size selection
	Pattern zoom-in & zoom out	64~127	zoom out speed selection
		128~191	zoom-in speed selection
		192~255	Zooming speed selection
CH9	Pattern gradually painting	1~255	Gradually painting speed selection
CH10	Scanning speed	1~127	Scanning speed selection
	Spot effects	128~255	Spot length selection
CH11	Color selection	0~24	Fixed color selection
		25~199	Color selection
		200~224	Effects of color changing
		225~255	Speed selection of flow speed
CH12	Color-changing speed	1~255	Color change speed selection

Maintenance

To prolong the life of the product, it is very important to do maintenance work. The environment is harsh outdoors, or if the product is idle for a long time, damp, smoke or particularly dirty surroundings can cause greater accumulation of dirt on its cover and housing. So it should be cleaned to maintain an optimum light output and at the same time to prevent it from being corrupted by acid gas.

Cleaning frequency depends on the environment in which the fixture operates. Soft cloth and typical glass cleaning products should be used for cleaning. It is recommended to clean product at least once every 20 days.

Friendly notice: Do not use any organic solvent, e.g. alcohol to clean housing of the apparatus.

Troubleshooting

Problems	Action
The product doesn't switch on	Power connection is not correct. Re-connect the power.
	Power supply is damaged or abnormal. Call a qualified personnel to fix it.
	Connection of control board is not correct. Call a qualified personnel to fix it.
The product can turn on, but no light coming out.	Control mode is wrongly setting up. Resetting it according to instruction book
	Control section is damaged. Call a qualified personnel to fix it.
The beam appears dim	The product is too hot. Take ventilation measures to make it cool.

Note: This product is under warranty for 1 year (From the date of delivery), 1 year after can provide paid maintenance services. But if it is because of natural disasters or user's operation not according to manual. We won't provide warranty.

SUPER-CAN

<http://www.supercanlight.com>