

Overview

MG06X is a versatile mixer suitable for a wide range of users and applications.



Rear Panel

Features

- Input channels: 6 Line Inputs (2 mono, 2 stereo), 2 Mic Inputs with 48V phantom power and HPH per channel.
- Output channels: 2 ST, 1 PHONES.
- Bus: 1 ST
- Robust, impact-resistant, powder-coated metal chassis.
- AC Adapter PA-130 (DC12V/1.0A) 120V/60Hz or MU18 (DC12V/1.5A) 100-240V 50/60Hz, or equivalent recommended by Yamaha.
- Discrete class A “D-PRE” mic preamps with an inverted darlington circuit.
- Digital effects processors: 6 “SPX” effects

Specifications

1/2

General Specifications

INPUT CHANNELS	LINE INPUT	6 (2 MONO + 2 STEREO)
	MIC INPUT	2
	MONO INPUT (MIC/LINE)	2 (CH1-2)
	MONO/STEREO INPUT (MIC/LINE)	0
	STEREO INPUT (LINE)	2
OUTPUT CHANNELS	STEREO OUT	2
	MONITOR OUT	0
	AUX SEND	0
	GROUP OUT	0
	PHONES OUT	1
BUS	STEREO	1
	GROUP	0
	AUX	0
USB AUDIO - USB IN/OUT		No
PHANTOM POWER		+48V
POWER REQUIREMENTS		120V/60Hz (AC Adapter PA-130) or 100-240V 50/60Hz (MU18)
POWER SUPPLY TYPE		AC Adapter PA-130 (DC12V/1.0A) 120V/60Hz or MU18 (DC12V/1.5A) 100-240V 50/60Hz, or equivalent recommended by Yamaha
POWER CONSUMPTION		12W
DIMENSIONS	W x D x H	149mm x 202mm x 62mm (5.9" x 7.9" x 2.4")
NET WEIGHT		0.9kg (1.98lbs)
INCLUDED ACCESSORIES		AC Adaptor, Owner's manual, Technical Specifications
SOFTWARE APPLICATION	Steinberg CUBASE AI	No
	Steinberg CUBASIS LE	No
	MG REC/PLAY (WAV)	No
OPTIONAL ACCESSORIES		BMS-10A Mic Stand Adaptor
OPERATING TEMPERATURE		0 to 40°C

Featured Functions

D-PRE MIC PREAMP	Yes
1-KNOB COMP	No
SPX DIGITAL EFFECTS	Yes (6 programs. REVERB HALL / REVERB ROOM / REVERB PLATE / DELAY SHORT / DELAY LONG / DELAY VO. ECHO)

Electrical Specifications

TOTAL HARMONIC DISTORTION	+14dBu (20Hz to 20kHz) Gain knob: Min	0.01% @ +8dBu (20Hz to 20kHz), Gain knob: Min
	+24dBu (1kHz) Gain knob: Min	0.003% @ +18dBu (1kHz), Gain knob: Min
FREQUENCY RESPONSE		±0.5dB (20Hz - 20kHz), refer to the nominal output level @1kHz, GAIN knob: Min
HUM & NOISE LEVEL	Equivalent input noise	-128 dBu (Mono Input Channel, Rs: 150Ω, Gain knob: Max)
	Residual output noise	-102 dBu (STEREO OUT, STEREO LEVEL knob: Min)
CROSSTALK	@ 1kHz	-88dB
INPUT CHANNEL FUNCTION	PAD	26dB
	HPH	80Hz, 12dB/oct (Mono)
	COMP	No
INPUT CHANNEL EQ	High	(Mono) ±15dB (10kHz shelving)
	Mid	-
	Low	(Mono) ±15dB (100Hz shelving)
LED LEVEL METER	Pre Monitor Level	2 x 7points LED meter (PEAK, +6, +3, 0, -3, -10, -20dB)
PEAK LED		LED turns on when post EQ signal reaches 3dB below clipping level

Specifications

2/2

Analog Input Characteristics

INPUT TERMINAL	PAD 26dB	GAIN TRIM POSITION	ACTUAL LOAD IMPEDANCE	FOR USE WITH NOMINAL	INPUT LEVEL			CONNECTOR
					Sensitivity*1	Nominal	Max. before clip	
MIC/LINE 1/L, 2/R	OFF	+64 dB	3k Ω	50-600 Ω Mics/Lines	-72 dBu (0.195 mV)	-60 dBu (0.775 mV)	-46 dBu (3.884 mV)	Combo jack*2 (Balanced)
		+20 dB			-28 dBu (30.9 mV)	-16 dBu (122.8 mV)	-2 dBu (615.6 mV)	
	ON	+38 dB			-46 dBu (3.884 mV)	-34 dBu (15.46 mV)	-20 dBu (77.5 mV)	
		-6 dB			-2 dBu (615.6 mV)	+10 dBu (2.451 V)	+24 dBu (12.283 V)	
LINE 3/4 – 5/6	-	-	10k Ω	600 Ω Lines	-22 dBu (61.56 mV)	-10 dBu (245.1 mV)	+4 dBu (1.228 V)	Phone jack*5 (Unbalanced)

Analog Output Characteristics

OUTPUT TERMINALS	ACTUAL SOURCE IMPEDANCE	FOR USE WITH NOMINAL	OUTPUT LEVEL		CONNECTOR
			Nominal	Max. before clip	
STEREO OUT [L, R]	75 Ω	10k Ω Lines	+4 dBu (1.228 V)	+18 dBu (6.156 V)	XLR-3-32*3 Phone jack*5 (Balanced)
PHONES	33 Ω	40 Ω Phones	2.4mW+2.4mW	24mW+24mW	Stereo phone jack

0dBu is referenced to 0.775Vrms.

*1 Sensitivity is the lowest level that will produce an output of +4dBu (1.228V) or the nominal output level when the unit is set to maximum gain. (All level controls are maximum position.)

*2 1&Sleeve = GND, 2&Tip = HOT, 3&Ring = COLD

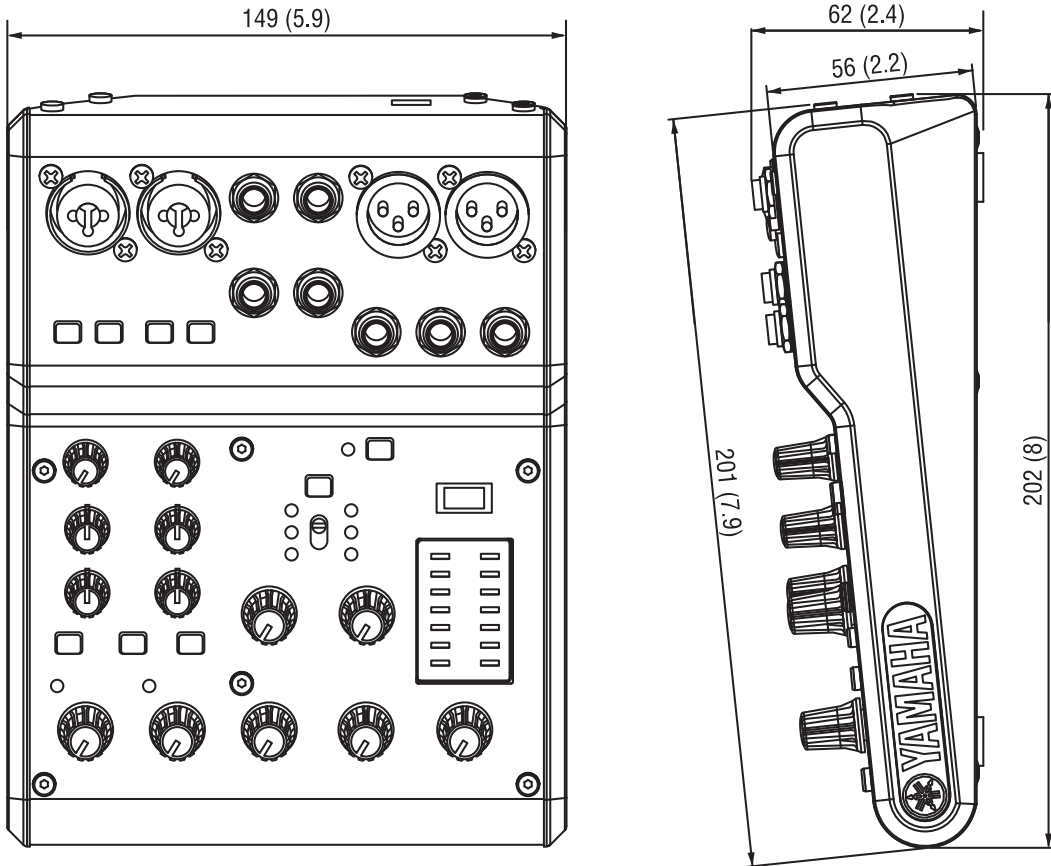
*3 1 = GND, 2 = HOT, 3 = COLD

*4 Tip = HOT, Ring = COLD, Sleeve = GND

*5 Tip = Signal, Sleeve = GND

Dimensions

Unit: mm (inch)



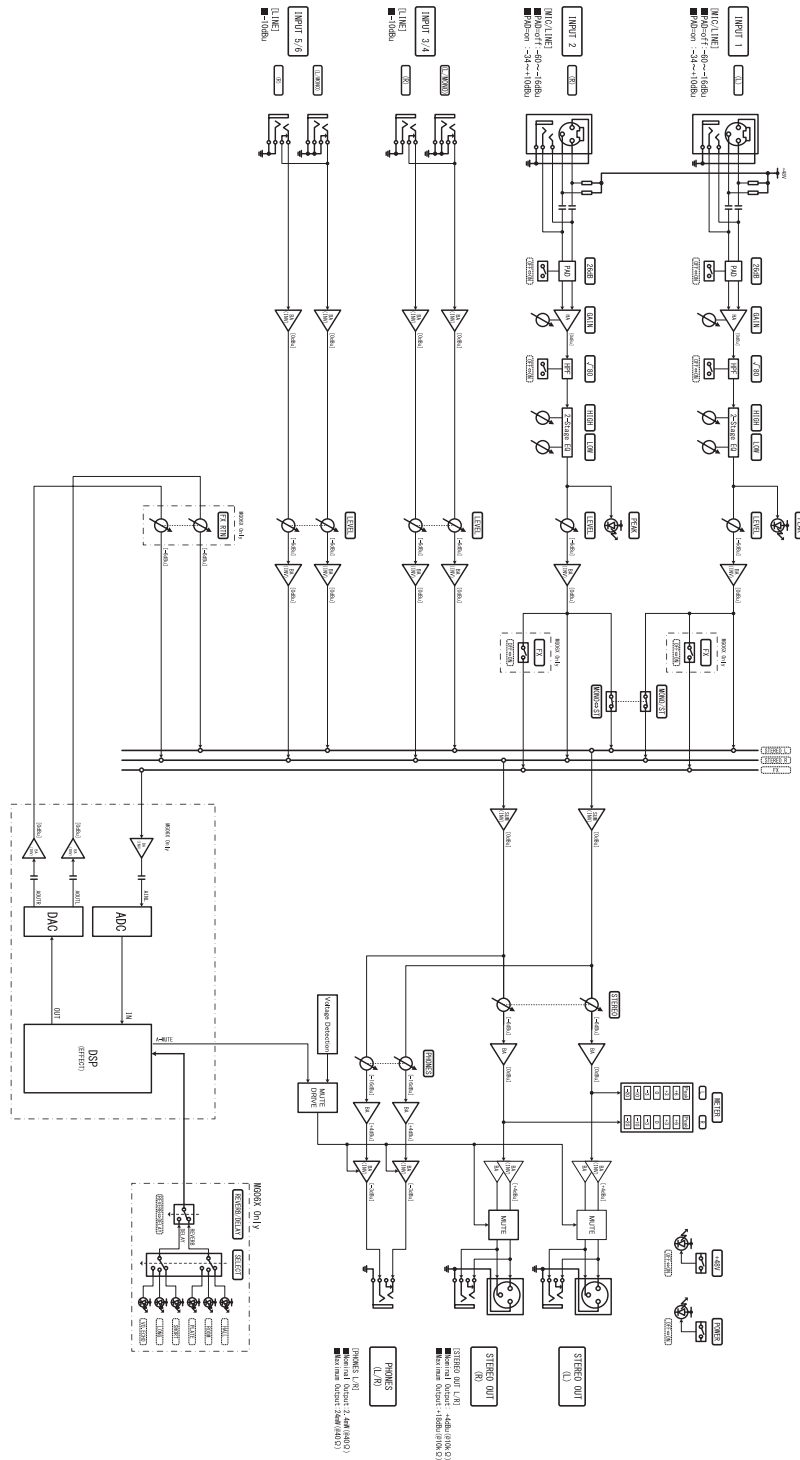
Options

- Mic Stand Adaptor BMS-10A

Architectural and Engineering Specifications

The Yamaha MG06X Mixing Console shall be a versatile 6-channel mixer that is suitable for a wide range of users and applications. The MG06X shall have 6 line inputs (2 mono, 2 stereo) and 2 microphone inputs with 48-volt phantom power and a high-pass filter for each channel. Two stereo outputs and one headphone output shall be provided. One stereo buss shall be provided. The mixing console's microphone preamplifiers shall be discrete class-A "D-PRE" types for high sound quality. A digital effects processor with six high-quality "SPX" effects shall be included to allow creative sound processing. The mixing console shall be robust and built into an impact-resistant powder-coated metal chassis. The mixing console shall be powered by a Yamaha PA130 AC adapter (120V 60Hz in, DC12V 1.0A out), or Yamaha MU18 AC adapter (100-240V 50/60Hz in, DC12V 1.5A out), or equivalent. Dimensions shall be 149 (W) x 202 (D) x 62 (H) mm (5.9" x 7.9" x 2.4"). Weight shall be 0.9 kg (1.98lbs).

Block Diagrams



*All information subject to change without notice.
 *All trademarks and registered trademarks are property of their respective owners.
 Created in March, 2017