

CDM

CDM-SA/R 150W/942 UNP



The perfect color rendering and long life of these Ceramic Discharge Metal-halide lamps make them ideal for fiber optics lighting systems in shop displays, decorative lighting and swimming pool illumination.

They can be mounted in color changing projectors.

Product data

• General Characteristics

Cap-Base	Ceramic Cap-Cable
Cap-Base Information	Cable 250mm
Operating Position	any
Main Application	Fiber Optics
Life to 50% failures	6000 hr

• Light Technical Characteristics

Color Code	942
Color Rendering Index	96 Ra8
Color Designation (text)	Cool White
Color Temperature	4200 K
Color Temperature Technical	4000 K
Chromaticity Coordinate X	361 -
Chromaticity Coordinate Y	351 -
Luminous Flux Lamp EM	2300 (min), 2750 (nom) Lm
Luminous Efficacy Lamp EM	19 Lm/W

• Electrical Characteristics

Lamp Wattage	150 W
Lamp Wattage Technical	152 W
Lamp Current	1.8 A

Ignition Supply Voltage	198 (min) V
Dimmable	No

• Luminaire Design Requirements

Pinch Temperature	350 (max) C
Bulb Temperature	650 (max) C

• Product Dimensions

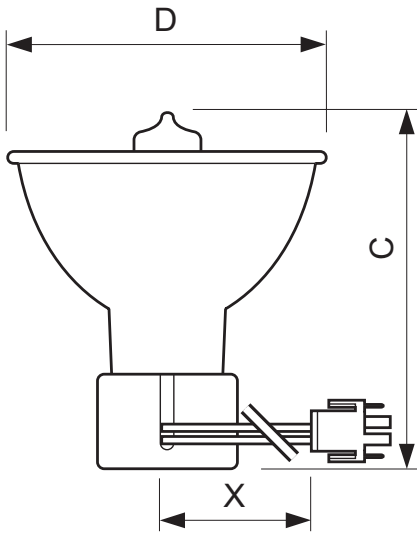
Overall Length C	106 (max) mm
Diameter D	95.3 (max) mm
Cable Length X	280 mm

• Product Data

Order code	928086805303
Full product code	928086805303
Full product name	CDM-SA/R 150W/942 UNP
Order product name	CDM-SA/R 150W/942 UNP/1
Pieces per pack	1
Packing configuration	1
Packs per outerbox	1
Bar code on pack - EAN1	8727900783490
Bar code on outerbox - EAN3	8711500201508
Logistic code(s) - 12NC	928086805303
Net weight per piece	0.192 kg

PHILIPS

Dimensional drawing



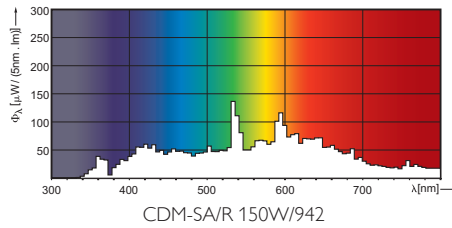
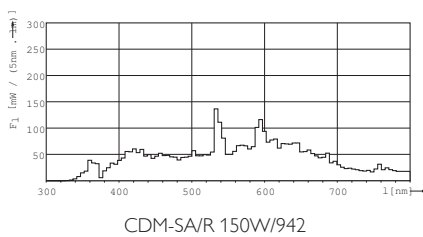
CDM-SA/R 150W/942 UNP

Product	C (Max)	D (Max)	X (Norm)
CDM-SA/R.150W/942	106	95.3	280



Ceramic Cap-Cable

Photometric data



© 2014 Koninklijke Philips N.V. (Royal Philips)
All rights reserved.

Specifications are subject to change without notice. Trademarks are the property of Koninklijke Philips N.V. (Royal Philips) or their respective owners.

www.philips.com/lighting

2014, October 31
data subject to change