

WMP Controllers - Square

Configurable controllers for control of volume, source selection and scene recall

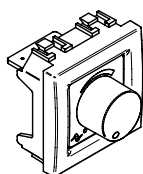


The WMP controllers are a series of wall-mounted solutions aimed at remotely controlling system functionalities, such as zone level control and source selection. These passive controls are sharable over the network, meaning that a passive wall controller can be connected to one amplifier via GPI and control the parameters of other devices in the same network.

All controllers are available in black or white and fit many different back box form factors.

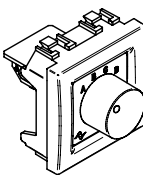
► WMP Level

- Level controllers can be configured to adjust the level attenuation of an amplifier output, or the level of single and multiple zones.

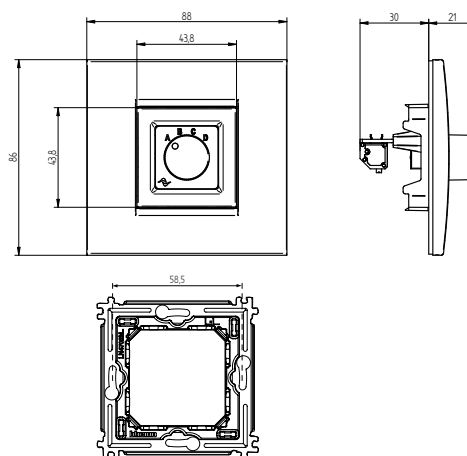


► WMP Select

- Selectors allow users to pick the source for one or multiple zones, and can also be used as scene selector, allowing users to choose from different system configurations.



Dimensions:



Specs:

	WMP Level ¹	WMP Select ¹
	1x Rotary Level Potentiometer 1x Square module + knob	1x 4-position rotary switch 1x Square module + knob
	1x Bticino Livinglight module support (LN4702M) ² 1x Bticino Livinglight cover plate (LNA4802AR or LNA4802BI) ²	
Controller Rating	0.05 W, 10 kΩ	125mW, 10 kΩ
Connector Type	3-pin Terminal Block (Euro 3.81mm) - 45° Angle	
Wire Gauge	16 to 30 AWG	
Max Cable Length	100 m	

The WMP controllers can be configured for use with the GPI pins of different Powersoft amplifiers, as per the table below.

Controller	Function	Amplifiers
	Amplifier Output Level Attenuation	Mezzo - All Models Duecanali - All Models Quattrocanali - All Models
	Zone Input Source Selection	Mezzo - All Models Duecanali - DSP+D Models Quattrocanali - DSP+D Models
	Scene Selection	

¹ Black and white kits sold separately.

² The WMP Square is also compatible with other supports and cover plates from Bticino's Livinglight Series.

