

panel mounting socket outlet, straight - flange 50x50, System E Belgian/French standard



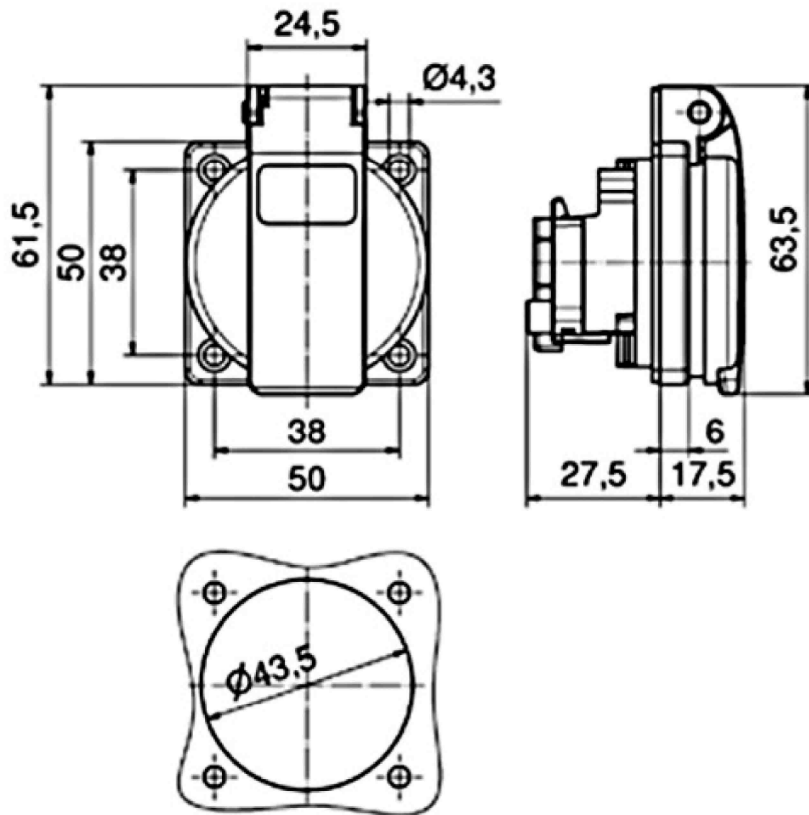
Product description	
BALS-Prd.-Nr	71120
EAN	4024941938266
Product group	Domestic panel mounting socket, Quick-Connect screwless push-contact System E Belgian/French standard
Current	16A
Number of poles	3p
Arrangement of the phases	2P+PE
Voltage	250V
Frequency	alternating current (AC)

Product description	
Protection degree	IP54
Colour code	black
Colour of appliance	Hinged lid black
Connection design	screwless
Maximum conductor size	2,5 qmm
Height	61.5mm
Width	24.5mm
Depth	45mm
Flange size vertical in mm	50mm
Flange size horizontal in mm	50mm
Drill hole distance vertical in mm	38mm
Drill hole distance horizontal in mm	38mm
Material of enclosure	Polyamide
Contacts	The contact carrier is made of polyamide, the contacts are brass nickel plated

Additional technical information	
	The connection is rear, With earth contact Belgian/French standard

Logistics data	
Weight/pcs	0.06 kg / piece
Packaging	bag

Logistics data	
Content amount	1 ST
EAN	4024941938266
Length	410 mm
Width	285 mm
Weight	0.06 kg
Packaging	carton
Content amount	20 ST
EAN	4024941835749
Length	276 mm
Width	174 mm
Height	80 mm
Weight	1.312 kg
Volume	2,808 ccm



18 MB 103